

Fig.1 Forward Current Derating Curve

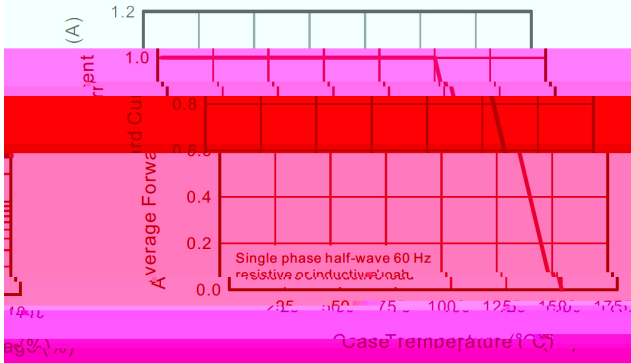


Fig.2 Typical Reverse Characteristics

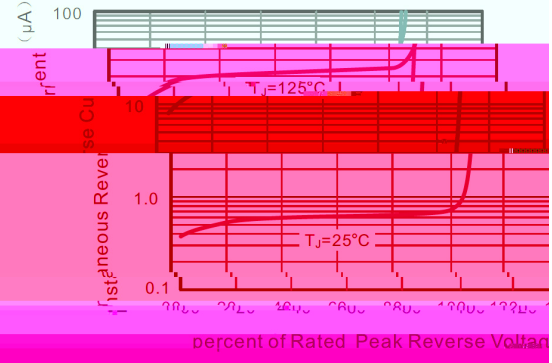
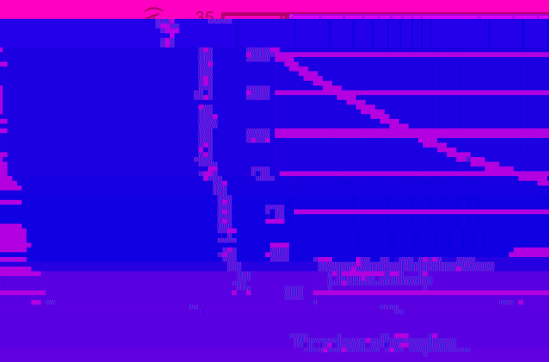


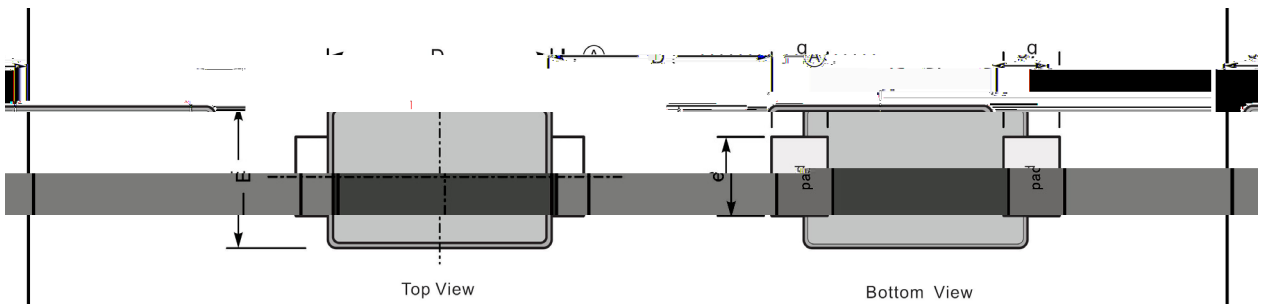
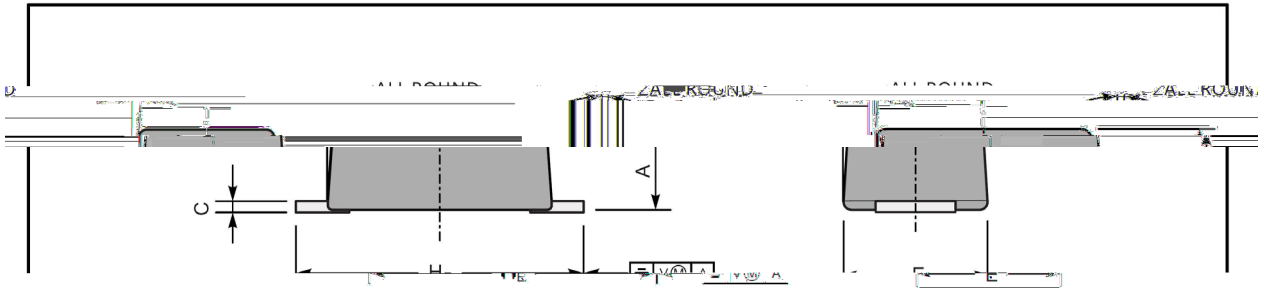
Fig.3 Typical Forward Characteristics



Fig.4 Maximum Non-Repetitive Peak Forward Surge Current



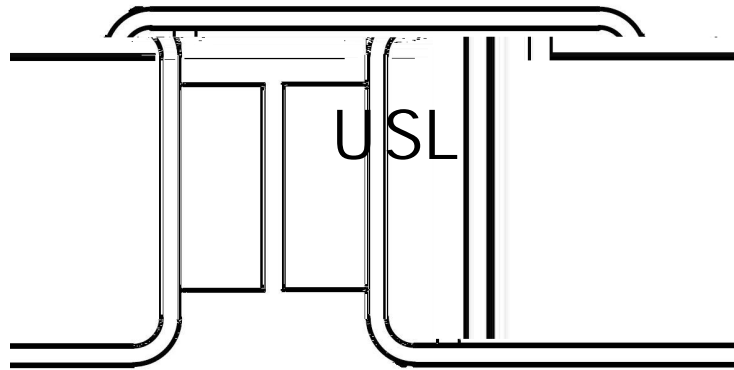
SOD-123FL



UNIT		A	C	D	E	F	G	H	I
mm	max	1.1	0.20	2.9	1.9	1.1	0.9	3.8	
	min	0.9	0.12	2.6	1.7	0.8	0.7	3.5	
mil	max	43	7.9	114	75	43	35	150	
	min	35	4.7	102	67	31	28	138	

Marking

Type number	Marking code
US1AW	USL
US1BW	
US1DW	
US1GW	USM
US1JW	USH
US1KW	
US1MW	



USL

1 *

3 *

USL

*

*

